

The SLM600 PLUS Series is a highly accurate ultrasonic level measurement system, which provides non-contact level measurement for a wide variety of applications. Easy “set it and forget it” installation and simple calibration makes it highly user-friendly. Two switched NPN open collector outputs, with fully programmable set-points are provided in the 3-wire type, together with fault condition being indicated by the analog output on both the 2 and 3-wire types. The Sondar SLM600 PLUS Series operates on the principle of timing the echo received from a measured pulse of sound transmitted through the air and utilizes “state-of-the-art” echo extraction technology.



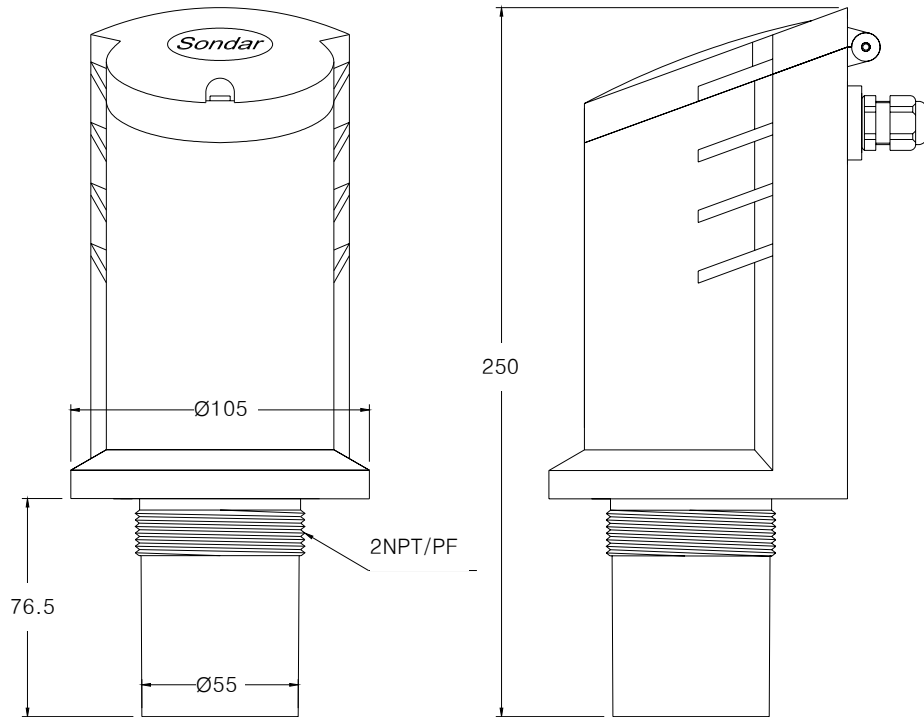
**Features**

- Easy Calibration
- Most favored design
- 2-wire and 3-wire type
- Selectable transmitting power for various applications
- Echo processing using unique digital extraction technology
- Choice of display includes distance, level and space.

**Technical Specifications**

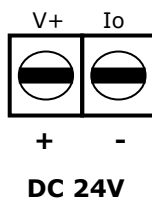
<b><u>Physical</u></b>		<b><u>Performance</u></b>		
<b>Dimension</b>	Overall	105(D) x 250(H) mm	<b>Accuracy</b>	0.25 %
	Sensor	55(D) x 76.5(H) mm	<b>Resolution</b>	1 mm
	Mounting	2" NPT / PF	<b>Measuring range</b>	0.3~6.0 m
<b>Weight</b>		1.5 kg	<b>Beam Angle</b>	± 5 ° ( -3 dB )
<b>Case Material</b>		Polypropylene	<b>Damping Rate</b>	0.1 ~ 10 m/min (100/min)
<b>Cable Entry</b>		PG9	<b>Temp. Compensation</b>	fully compensated
<b><u>Environmental</u></b>		<b><u>Outputs</u></b>		
<b>IP Rating</b>		IP65	<b>Analog Output</b>	4~20 mA (max 750Ω)
<b>Temperature</b>		-20~85°C	<b>Display</b>	3 Digit Numeric LCD
<b>Pressure</b>		Up to 2 Bar	<b>Relay</b>	NPN Open Collector Tr
<b><u>Certification</u></b>		<b><u>Supply</u></b>		
<b>CE</b>			<b>Power Supply</b>	DC 20~30 V, below 0.07 A
			<b>Power Consumption</b>	1 W

## Dimensions



## Terminal Connections

### 2 Wire

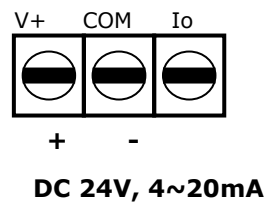


### 2 Wire (SLM600B)

**V+** : Direct Current(DC) Input terminal (20-30VDC)

**Io** : Analog Output terminal (4-20mA)

### 3 Wire



### 3 Wire (SLM600A)

**V+** : Direct Current(DC) Input terminal (20-30VDC)

**COM** : DC COMMON Input terminal, and also used as RETURN terminal for all OUTPUTS

**Io** : Analog Output terminal (4-20mA)

**Ordering Code**

LC- 

6		S
---	--	---

 - 

P	S
---	---

**Measuring Range**

6m 6 N/C

**Wire Type**

2 wire A \$ 650

3 wire B 675

**Power Supply**

Standard (24V DC) S N/C

**Housing Material**

PP P N/C

**Sensor Material**

PP S N/C

**Ex) LC-6BS-PS (6m Range, 3 Wire, PP Housing, Standard Sensor)**

**LC-6AS-PS (6m Range, 2 Wire, PP Housing, Standard Sensor)**