

CLAMP-ON ULTRASONIC FLOW AND ENERGY METERS FOR LIQUIDS

TFX Ultra ultrasonic flow and energy meters clamp onto the outside of pipes and do not contact the internal liquid. The technology has inherent advantages over alternate devices including: low-cost installation, no pressure head loss, no moving parts to maintain or replace, no fluid compatibility issue, and a large, bi-directional measuring range that ensures reliable readings even at very low and high flow rates. TFX Ultra is available in a variety of configurations that permit the user to select a meter with features suitable to meet particular application requirements.



The TFX Ultra is available in two versions: a stand-alone flow meter, and an energy flow meter used in conjunction with dual clamp-on RTDs. The energy flow meter measures energy usage in BTU, MBTU, MMBTU, Tons, kJ, kW, MW and is ideal for retrofit, hydronic and other HVAC applications.

FEATURES

- May be used to measure clean liquids as well as those with small amounts of suspended solids or aeration (e.g., surface water, sewage).
- Bi-directional flow measurement system. Totalizer options include forward, reverse and net total.
- Modbus RTU over RS485 communications; Ethernet connection includes BACNet®/IP, EtherNet/IP™ and Modbus TCP/IP protocols.
- Large, easy-to-read digital display.
- Rugged, aluminum enclosure ensures a long service life in harsh environments.
- Certified for hazardous area installation in North America and Europe.

BENEFITS

- Reduced material costs: clamp-on sensor eliminates the need for in-line flanges, pipe fittings, strainers, and filters.
- Reduced installation time: the TFX Ultra may be installed and fully operational within minutes.
- Reduced maintenance costs: with no moving parts, there is nothing on the TFX Ultra to wear down – no repair kits or replacement parts are needed.
- No need to shut down the process for installation or maintenance due to clamp-on sensor design.



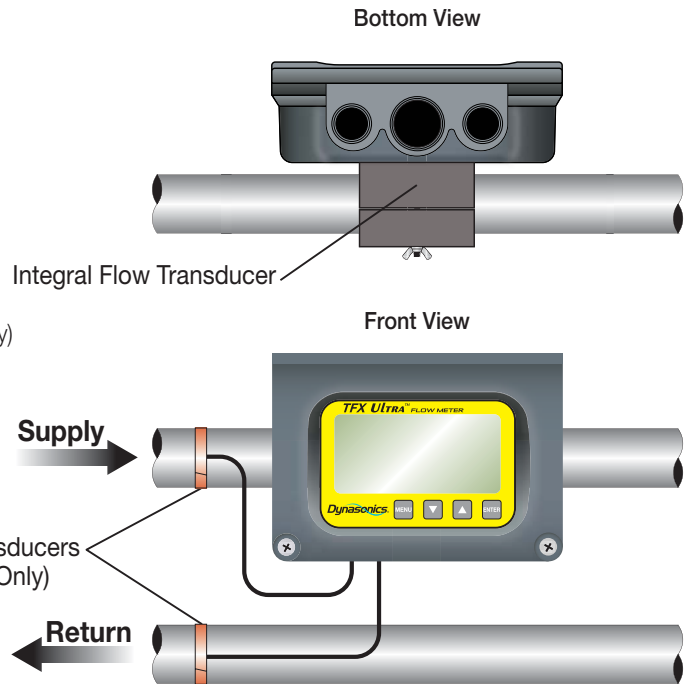
Meter with Integral Flow Transducer

TFX Ultra™

For pipe/tubing sizes of 2" (50 mm) and lower, TFX Ultra is available with a clamp-on transducer mounted and wired directly to the flow meter display/electronics enclosure. This design provides a convenient installation in areas where the user requires local indication. PVC constructed transducers are rated to 185 °F (85 °C) and CPVC are rated to 250 °F (121 °C).

Common Features:

- Rate-Total Backlit Display
- 4-20mA Output
- 0-1,000 Hz Rate Pulse and Dual Alarm Outputs (Flow Meter Model Only)
- USB Programming Port
- RS485 Modbus Network Connection
- Remote Totalizer Reset



Part Number Construction

D T F X	-		-				-		
Transmitter Type									
B) Flow Meter Model									
E) Energy Meter Model									
Pipe Size/Measurement Range									
A) ½" ANSI Pipe (DN 15)									
B) ¾" ANSI Pipe (DN 20)									
C) 1" ANSI Pipe (DN 25)									
D) 1-¼" ANSI Pipe (DN 32)									
E) 1-½" ANSI Pipe (DN 40)									
F) 2" ANSI Pipe (DN 50)									
G) ½" Copper tube									
H) ¾" Copper tube									
I) 1" Copper tube									
J) 1-¼" Copper tube									
K) 1-½" Copper tube									
L) 2" Copper tube									
M) ½" OD Standard tubing									
N) ¾" OD Standard tubing									
P) 1" OD Standard tubing									
Q) 1-¼" OD Standard tubing									
R) 1-½" OD Standard tubing									
S) 2" OD Standard tubing									
Power Supply									
A) A/C (95-264 VAC)									
C) A/C (20-28 VAC)									
D) D/C (10-28 VDC)									
Keypad									
K) Keypad									
N) No Keypad									
Advanced Communications									
E) 10/100 Base-T (EtherNet/IP™, BACnet®/IP, Modbus TCP/IP)									
N) None									
Transducer Material/Temperature									
P) PVC, -40 to +185 °F (-40 to +85 °C)									
C) CPVC, -40 to +250 °F (-40 to +121 °C)									
Options									
N) None									
C) 4-Pin (male); Brad Harrison® Micro-Change® (Available for D/C Power Only)									
A) Cable Gland Kit									
Approvals									
F) General Safety, Hazardous Locations, and CE (See Specification Page)									
N) General Safety (Power Supply C Only)									
Energy Temperature Range									
N) NONE (Select for Flow Meter Model B)									
A) +32 to +122 °F (0 to +50 °C)									
B) +32 to +212 °F (0 to +100 °C)									
C) -40 to +350 °F (-40 to +177 °C)									
D) -4 to +85 °F (-20 to +30 °C)									

RTD Kits for Integral and Remote Energy Measurement Meters

- D010-3000-301** RTD Kit¹, clamp on, 200 °C, 1,000 Ohm, 20'
- D010-3000-302** RTD Kit¹, clamp on, 200 °C, 1,000 Ohm, 50'
- D010-3000-303** RTD Kit¹, clamp on, 200 °C, 1,000 Ohm, 100'

- D010-3000-200** Insertion RTD Kit², 3", ¼" O.D., 260 °C, 1,000 Ohm, 20'
- D010-3000-201** Insertion RTD Kit², 3", ¼" O.D., 260 °C, 1,000 Ohm, 50'
- D010-3000-202** Insertion RTD Kit², 3", ¼" O.D., 260 °C, 1,000 Ohm, 100'

¹RTD Kits include: 2 RTDs, heat sink compound and installation tape

²Insertion RTD Kits include a set of 2 RTDs

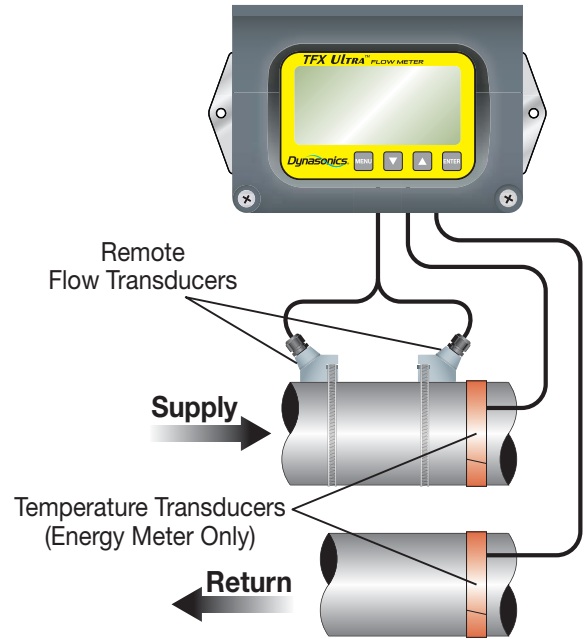
Meter with Remote Flow Transducer

TFX Ultra™

TFX Ultra is available with remote mounted transducers that permit separation of up to 990 feet (300 m). This design is utilized when pipes are located in areas that are not convenient for viewing, or on piping systems with severe vibration. PVC constructed transducers are rated to 185 °F (85 °C), CPVC are rated to 250 °F (121 °C) and PTFE are rated to 350 °F (176 °C).

Common Features:

- Rate-Total Backlit Display
- 4-20mA Output
- 0-1,000 Hz Rate Pulse and Dual Alarm Outputs (Flow Meter Model Only)
- USB Programming Port
- RS485 Modbus Network Connection
- Remote Totalizer Reset



Part Number Construction

D	T	F	X	-	Z	N	-				-					
Transmitter Type					Power Supply				Keypad				Approvals			Options
B) Flow Meter Model E) Energy Meter Model					A) A/C (95-264 VAC) C) A/C (20-28 VAC) D) D/C (10-28 VDC)				K) Keypad N) No Keypad				F) General Safety, Hazardous Locations, and CE (See Specification Page) N) General Safety (Power Supply C Only)			N) None C) 4-Pin (male); Brad Harrison® Micro-Change® (Available for D/C Power Only) A) Cable Gland Kit
Remote Transmitter					Advanced Communications				Energy Temperature Range							
Use with DTTN/DTTH/DTTL Large Pipe Transducers (pipes larger than 2" or DTTS/DTTC Small Pipe Transducers (pipes ½" - 2"))					E) 10/100 Base-T (EtherNet/IP™, BACnet®/IP, Modbus TCP/IP) N) None				N) None (Select for Flow Meter Model B) A) +32 to +122 °F (0 to +50 °C) B) +32 to +212 °F (0 to +100 °C) C) -40 to +350 °F (-40 to +177 °C) D) -4 to +85 °F (-20 to +30 °C)							

FLOW TRANSDUCER - Pipes larger than 2" (DN 50 mm)

D	T	T	-				-				-			
Construction				Cable Length				Conduit Type		Conduit Length				Installation
N) Standard: +250 °F (+121 °C) (CPVC, Ultem®) H) High Temp: +350 °F (+176 °C) (PTFE, Vespel®) L) Large Pipe - 500 KHz: +250 °F (+121 °C) (CPVC, Ultem®)*				020) 20 feet (6 m) 050) 50 feet (15 m) 100) 100 feet (30 m) ¹				N) None A) Flexible Armored S) Submersible (DTTN and DTTL Only)		<i>(Standard construction: Conduit length = Cable length)</i> 000) None 020) 20 feet (6 m) 050) 50 feet (15 m) 100) 100 feet (30 m) ¹				N) General Purpose F) Class I, Div. 1, Groups C & D (DTTN Only)

*Recommended for pipe sizes larger than 24" (610 mm)

FLOW TRANSDUCER - Small Pipes – ½" to 2" (12 mm to 50 mm)

D	T	T	-				-				-			
Type		Nominal Pipe Size		Pipe Type		Cable Length			Conduit Type		Conduit Length			
S) Standard: +185 °F (+85 °C) (PVC, Ultem®) C) High Temp: +250 °F (+121 °C) (CPVC, Ultem®)		D) ½" H) 1-¼" F) ¾" J) 1-½" G) 1" L) 2"		P) ANSI Pipe C) Copper Pipe T) Rigid Tubing		020) 20 feet (6 m) 050) 50 feet (15 m) 100) 100 feet (30 m) ¹			N) None A) Flexible Armored		000) None 020) 20 feet (6 m) 050) 50 feet (15 m) 100) 100 feet (30 m) ¹			

¹Maximum length: 990 feet (300 m) in 10 ft. (3 m) increments

SPECIFICATIONS

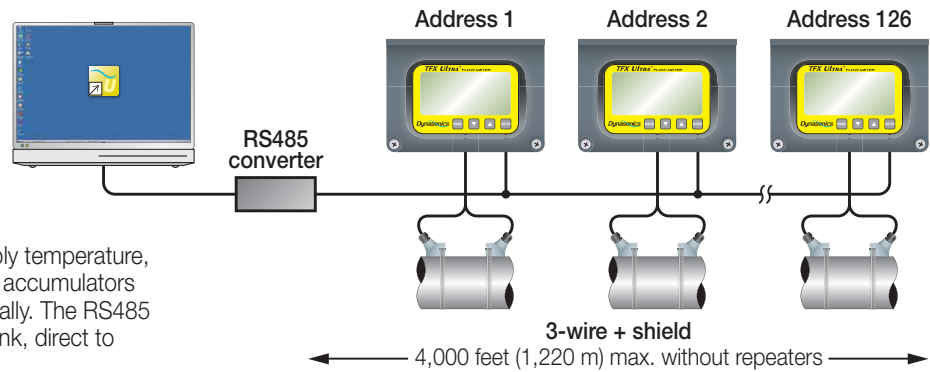
System

Liquid Types	Most clean liquids or liquids containing small amounts of suspended solids or gas bubbles
Velocity Range	Bi-directional to greater than 40 FPS (12 MPS)
Flow Accuracy	DTTN/DTTH/DTTL: 1% of reading at rates > 1 FPS (0.3 MPS); ± 0.01 FPS (0.003 MPS) at rates < 1 FPS (0.3 MPS) DTTS/DTTC: 1" (25 mm) and larger - 1% of reading from 4-40 FPS (1.2-12 MPS); ± 0.04 FPS (0.012 MPS) at rates < 4 FPS (1.2 MPS) DTTS/DTTC: ¾" (19 mm) and smaller - 1% of Full Scale Refer to Dimensional Specifications page for applicable measuring ranges for each DTTS/DTTC transducer model
Temperature Accuracy (Energy Meters Only)	Option A: +32 to +122 °F (0 to +50 °C); Absolute: 0.22 °F (0.12 °C) Difference: 0.09 °F (0.05 °C) Option B: +32 to +212 °F (0 to +100 °C); Absolute: 0.45 °F (0.25 °C) Difference: 0.18 °F (0.1 °C) Option C: -40 to +350 °F (-40 to +177 °C); Absolute: 1.1 °F (0.6 °C) Difference: 0.45 °F (0.25 °C) Option D: -4 to +85 °F (-20 to +30 °C); Absolute: 0.22 °F (0.12 °C) Difference: 0.09 °F (0.05 °C)
Sensitivity	Flow: 0.001 FPS (0.0003 MPS) Temperature: Option A: 0.03 °F (0.012 °C); Option B: 0.05 °F (0.025 °C); Option C: 0.1 °F (0.06 °C); Option D: 0.03 °F (0.012 °C)
Repeatability	0.5% of reading
Installation Compliance	General Safety (all models): UL 61010-1, CSA C22.2 No. 61010-1; (power options A and D only) EN 61010-1 Hazardous Location (power supply options A and D only): Class I Division 2 Groups C, D; Class II and III, Division 2, Groups C, D, F, and G for US/CAN; ATEX II 2 G Ex nA II T4: UL 1604, CSA 22.2 No. 213, EN 60079-0 and EN 60079-13 CE: EN61326-1:2006 on meter systems with integral flow transducers, transducers constructed with twinaxial cable (all transducers with cables 100 ft. (30 m) and shorter) or remote transducers with conduit
Transmitter	
Power Requirements	AC: 95-264 VAC 47-63 Hz @ 17 VA max. or 20-28 VAC 47-63 Hz @ 0.35 A max. DC: 10-28 VDC @ 5 W max. Protection: auto resettable fuse, reverse polarity and transient suppression
Display	Two line LCD, LED backlight; Top row 0.7 inch (18mm) height, 7-segment; Bottom row 0.35 inch (9 mm) height, 14-segment Icons: RUN, PROGRAM, RELAY1, RELAY2 Flow rate indication: 8-digit positive, 7-digit negative max.; auto decimal, lead zero blanking Flow accumulator (totalizer): 8-digit positive, 7-digit negative max. (reset via keypad press, ULTRALINK™, network command or momentary contact closure)
Enclosure	Type 4 (IP65) Construction: powder-coated aluminum, polycarbonate, stainless steel, polyurethane, nickel-plated steel mounting brackets Size (electronic enclosure only): 6.0" W x 4.4" H x 2.2" D (152 mm W x 112 mm H x 56 mm D) Conduit Holes: (2) ½" NPT female; (1) ¾" NPT female; Optional Cable Gland Kit
Temperature	-40 °F to +185 °F (-40 °C to +85 °C)
Configuration	Via optional keypad or PC running ULTRALINK™ software (Note: not all configuration parameters are available from the keypad – i.e. flow and temperature calibration and advanced filter settings)
Engineering Units	Flow Meter: Feet, gallons, cubic feet, million gallons, barrels (liquid and oil), acre-feet, lbs., meters, cubic meters, liters, million liters, kg Energy Meter: BTU, MBTU, MMBTU, Tons, kJ, kW, MW and the Flow Meter list from above
Inputs/Outputs	USB 2.0: for connection of a PC running ULTRALINK™ configuration utility RS485: Modbus RTU command set 10/100 Base-T: RJ45, communication via Modbus TCP/IP, EtherNet/IP™ and BACnet®/IP 4-20mA: 12-bit, internal power, can span negative to positive flow/energy rates Flow Meter Model Only: 0-1,000 Hz: open-collector, 12-bit, can span negative to positive rates; square-wave or turbine meter simulation outputs Two Alarm Outputs: open-collector, configure as rate alarm, signal strength alarm or totalizer pulse
Transducers	
Type	Compression mode propagation, clamp-on
Construction	DTTN/DTTC/DTTL: NEMA 6* (IP 67), CPVC, Ultem®, Nylon cord grip, PVC cable jacket; -40 to +250 °F (-40 to +121 °C) DTTN/DTTL: NEMA 6P* (IP 68) option, CPVC, Ultem®, Nylon cord grip, Polyethylene cable jacket; -40 to +250 °F (-40 to +121 °C) DTTH: NEMA 6* (IP 67), PTFE, Vespel®, Nickel-plated brass cord grip, PFA cable jacket; -40 to +350 °F (-40 to +176 °C) DTTS: NEMA 6* (IP 67), PVC, Ultem®, Nylon cord grip, PVC cable jacket; -40 to +185 °F (-40 to +85 °C) *NEMA 6 units: to a depth of 3 ft. (1 m) for 30 days max. NEMA 6P units: to a depth of 100 ft. (30 m) seawater equivalent density indefinitely.
Frequency	DTTS/DTTC: 2 MHz DTTN/DTTH: 1 MHz DTTL: 500 KHz
Cables	RG59 Coaxial, 75 ohm or Twinaxial, 78 ohm (optional armored conduit)
Cable Length	990 feet (300 meter) max. in 10 ft. (3 m) increments
RTDs	Energy Meters Only: Platinum 385, 1,000 ohm, 3-wire; PVC jacket cable
Installation	DTTN (-N option) /DTTS/DTTH/DTTC: General and Hazardous Location (see Installation Compliance above) DTTN Transducer and IS Barrier (-F option): Class I Div. 1, Groups C&D T5 Intrinsically Safe Ex ia; CSA C22.2 No.'s 142 & 157; UL 913 & 916
Software Utilities	
ULTRALINK™	Utilized to configure, calibrate and troubleshoot Flow and Energy meters. Connection via USB A/B cable; software is compatible with Windows 2000, Windows XP, Windows Vista® and Windows® 7
EnergyLink	Utilized to monitor a network of Flow and Energy meters. Connection via RS485. Operates within Microsoft Excel® 2003, Microsoft Excel® 2007, Microsoft Excel® 2010. (32-bit O.S. only)

TFX NETWORK OPTIONS

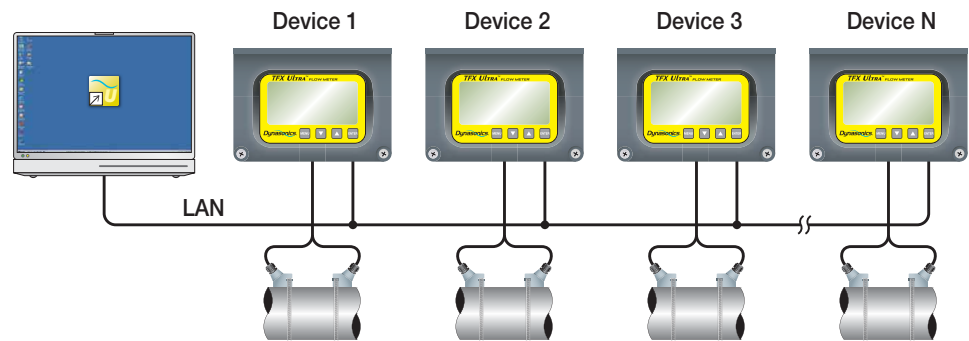
TFX RS485 Network

All TFX meters come equipped with RS485 drivers and utilize a Modbus RTU command set (data can be returned in single-precision, double-precision, integer or floating point values). Up to 126 TFX products can be run on a single daisy-chain network and be individually queried for flow rate, positive flow accumulator, negative flow accumulator, supply temperature, return temperature and signal strength. Flow accumulators can be cleared at discrete addresses or globally. The RS485 network is also compatible with the EnergyLink, direct to Excel®, application detailed below.



TFX 10/100 Base-T Network

If equipped with the optional Ethernet communications module, the TFX can be plugged into a LAN and queried for flow rate, positive flow accumulator, negative flow accumulator, supply temperature, return temperature and signal strength. The module contains Modbus TCP/IP, EtherNet/IP™ and BACnet®/IP network compatibility.



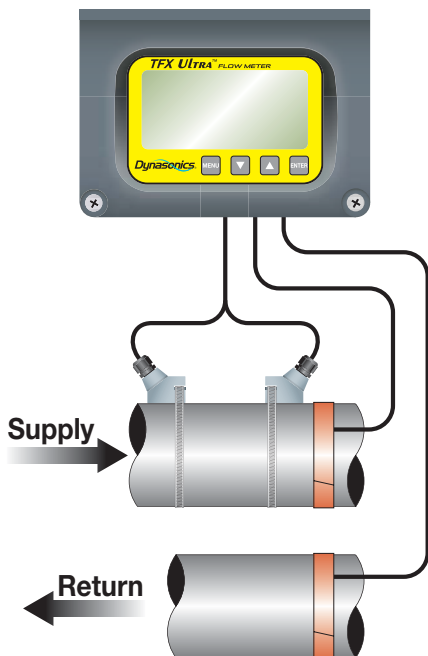
EnergyLink Software

Operating from a standard, low-cost PC, EnergyLink software operates within Microsoft® Excel® and provides an efficient method of monitoring and archiving data from a network of TFX Energy meters. EnergyLink automatically backs up accumulated energy data every hour, day, month, quarter and year into convenient spreadsheet formats suitable for input into invoicing systems. The Current Readings screen provides real time measurements from all TFX meters on the network (up to 126 meters can be connected

on a single RS485 network). Data displayed includes: Location name, Room Number, TFX address, a good/bad communication indicator, the time and date of the last reading, flow signal level, energy flow rate, energy accumulation, supply temperature and return temperature. The software can be configured to "auto run" should PC power be interrupted or the PC be turned off. The software can also be configured to reset the energy accumulators on all network meters at the beginning of every month or quarter.

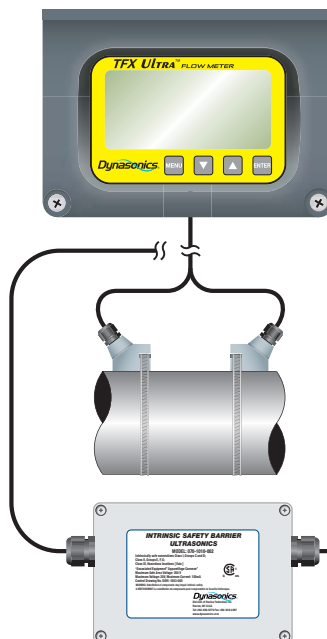
COMPLIANCE

General Safety - All Models



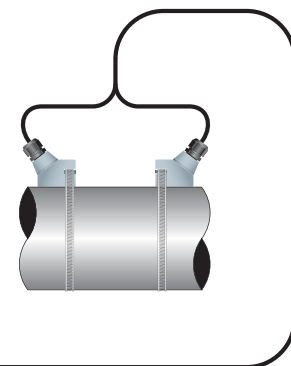
Hazardous Location Installation - Power Supply A and D only

Class I Div. 2/Ex nA



Class I Div. 1/Ex ia

Intrinsically Safe Location*

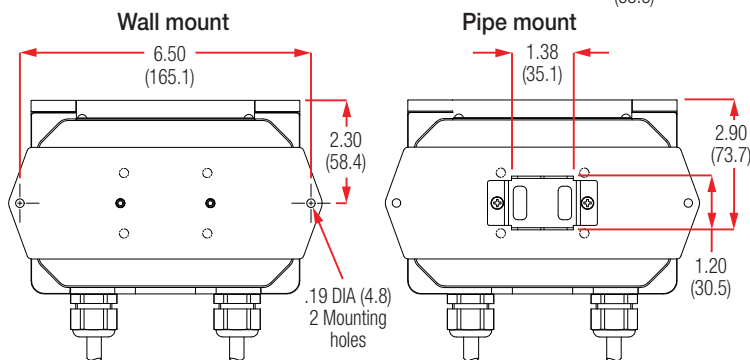
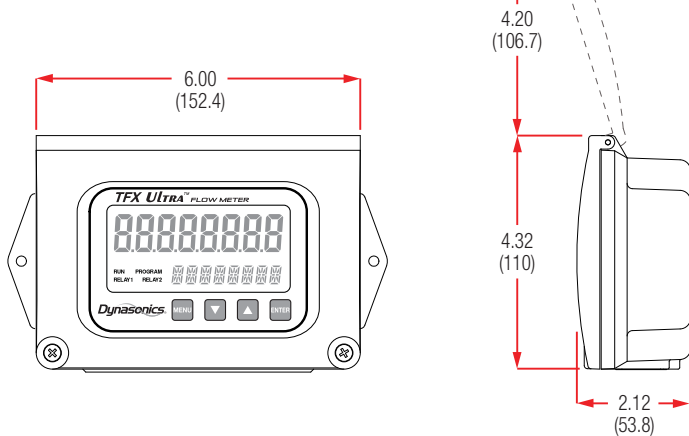


* Intrinsically Safe configuration must contain both the barrier and transducers. Barrier must be within Class I Div. 2/Ex nA or General Safety location.

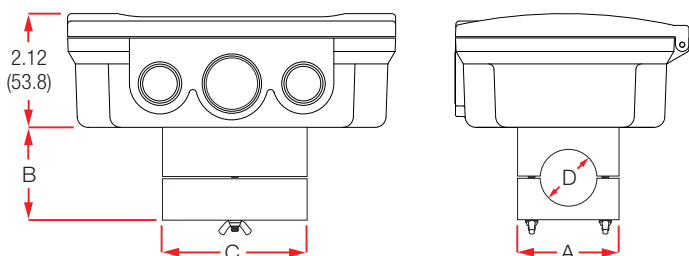
DIMENSIONAL SPECIFICATIONS

MECHANICAL DIMENSIONS: INCHES (MM)

Remote System



Integral System



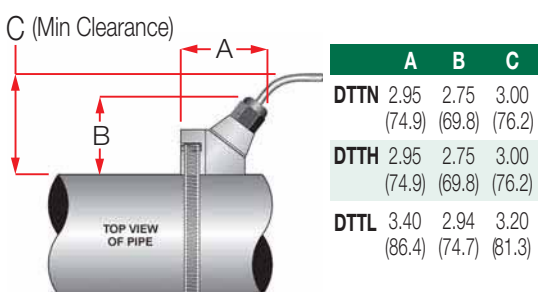
DTTS/DTTC TRANSDUCER DIMENSIONS: INCHES (MM)

Pipe Size	Pipe Material	A	B	C	D	Measuring Range
1/2"	ANSI/DN	2.46 (62.5)	2.36 (59.9)	2.66 (67.6)	0.84 (21.3)	2 - 38 GPM 8 - 144 LPM
	Copper	2.46 (62.5)	2.36 (59.9)	3.33 (84.6)	0.63 (15.9)	1.8 - 27 GPM 7 - 102 LPM
	Tubing	2.46 (62.5)	2.28 (57.9)	3.72 (94.5)	0.50 (12.7)	1.5 - 18 GPM 6 - 68 LPM
3/4"	ANSI/DN	2.46 (62.5)	2.57 (65.3)	2.66 (67.6)	1.05 (26.7)	2.75 - 66 GPM 10 - 250 LPM
	Copper	2.46 (62.5)	2.50 (63.5)	3.56 (90.4)	0.88 (22.2)	2.5 - 54 GPM 10 - 204 LPM
	Tubing	2.46 (62.5)	2.50 (63.5)	3.56 (90.4)	0.75 (19.0)	2.5 - 45 GPM 10 - 170 LPM
1"	ANSI/DN	2.46 (62.5)	2.92 (74.2)	2.86 (72.6)	1.32 (33.4)	3.5 - 108 GPM 13 - 409 LPM
	Copper	2.46 (62.5)	2.87 (72.9)	3.80 (96.5)	1.13 (28.6)	3.5 - 95 GPM 13 - 360 LPM
	Tubing	2.46 (62.5)	2.75 (69.9)	3.80 (96.5)	1.00 (25.4)	3.5 - 85 GPM 13 - 320 LPM
1-1/4"	ANSI/DN	2.80 (71.0)	3.18 (80.8)	3.14 (79.8)	1.66 (42.2)	5 - 186 GPM 19 - 704 LPM
	Copper	2.46 (62.5)	3.00 (76.2)	4.04 (102.6)	1.38 (34.9)	4.5 - 152 GPM 17 - 575 LPM
	Tubing	2.46 (62.5)	3.00 (76.2)	4.04 (102.6)	1.25 (31.8)	4 - 136 GPM 15 - 514 LPM
1-1/2"	ANSI/DN	3.02 (76.7)	3.42 (86.9)	3.33 (84.6)	1.90 (48.3)	6 - 250 GPM 23 - 946 LPM
	Copper	2.71 (68.8)	2.86 (72.6)	4.28 (108.7)	1.63 (41.3)	5 - 215 GPM 19 - 814 LPM
	Tubing	2.71 (68.8)	3.31 (84.1)	4.28 (108.7)	1.50 (38.1)	5 - 200 GPM 19 - 757 LPM
2"	ANSI/DN	3.70 (94.0)	3.42 (86.9)*	5.50 (139.7)	2.375 (60.3)*	8 - 420 GPM 30 - 1590 LPM
	Copper	3.70 (94.0)	3.38 (85.9)*	5.50 (139.7)	2.125 (54.0)*	8 - 375 GPM 30 - 1419 LPM
	Tubing	3.21 (81.5)	3.85 (98.0)	4.75 (120.7)	2.00 (50.8)	8 - 365 GPM 30 - 1381 LPM

* Varies due to U-bolt configuration

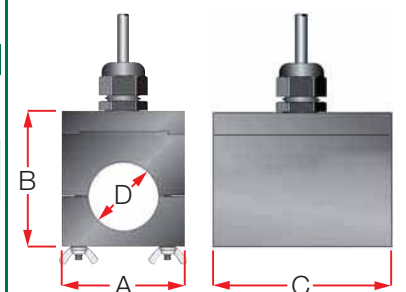
DTTN/DTTH/DTTL

Pipes larger than 2" (50 mm)



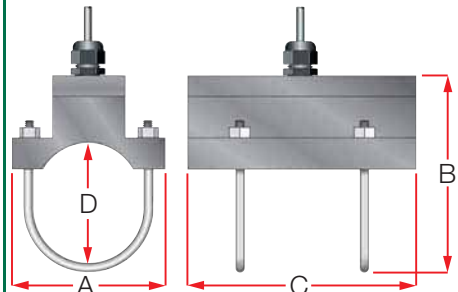
DTTS/DTTC

Pipes/Tubing 1/2" to 2" (12 mm to 50 mm)



DTTS/DTTC U-Bolt Connections

ANSI/DN & Copper 2" (50 mm) Models



DYNASONICS is a registered trademark of Racine Federated Inc.
 Ultra and Ultralink are registered trademarks of Racine Federated Inc.
 ULTEM is a registered trademark of General Electric Co.
 WINDOWS, EXCEL and VISTA are registered trademarks of Microsoft Corp.
 CSA is a registered trademark of the Canadian Standards Association.
 VESPEL is a registered trademark of E. I. du Pont de Nemours and Company.
 BACNET is a registered trademark of American Society of Heating, Refrigerating and Air-Conditioning Engineers (ASHRAE).
 BRAD HARRISON and MICRO-CHANGE are registered trademarks of Molex, Inc.
 UL is a registered trademark of Underwriters Laboratories.



8635 Washington Ave. ■ Racine, WI 53406-3738 ■ USA
 Tel: 262-639-6770 800-535-3569 US & Canada
 Fax: 262-639-2267 800-732-8354 US & Canada
 dynasonics.com dynasonics_sales@racinefed.com

©2011 Racine Federated Inc., all rights reserved.

FORM TFX Ultra 01/11